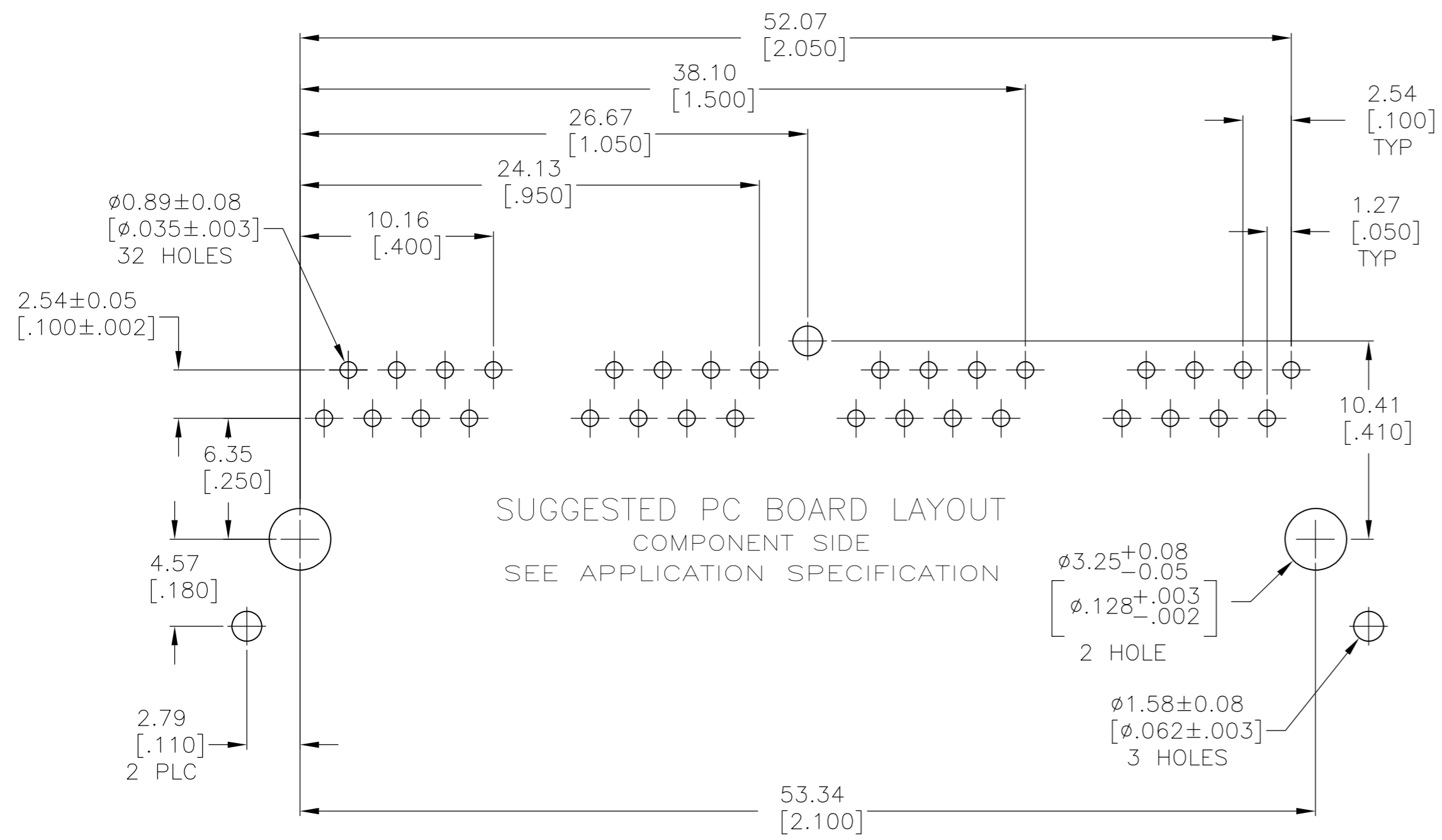
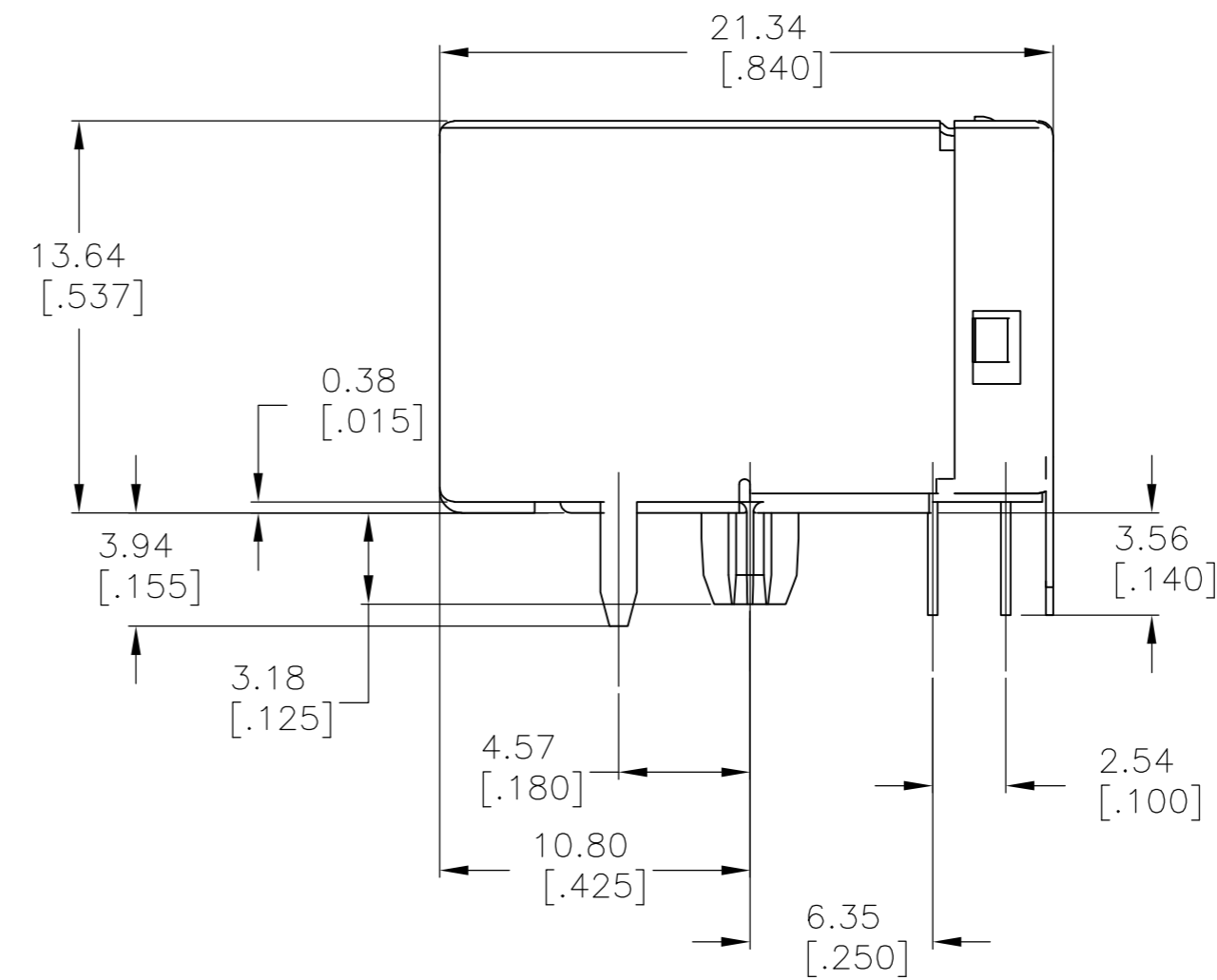
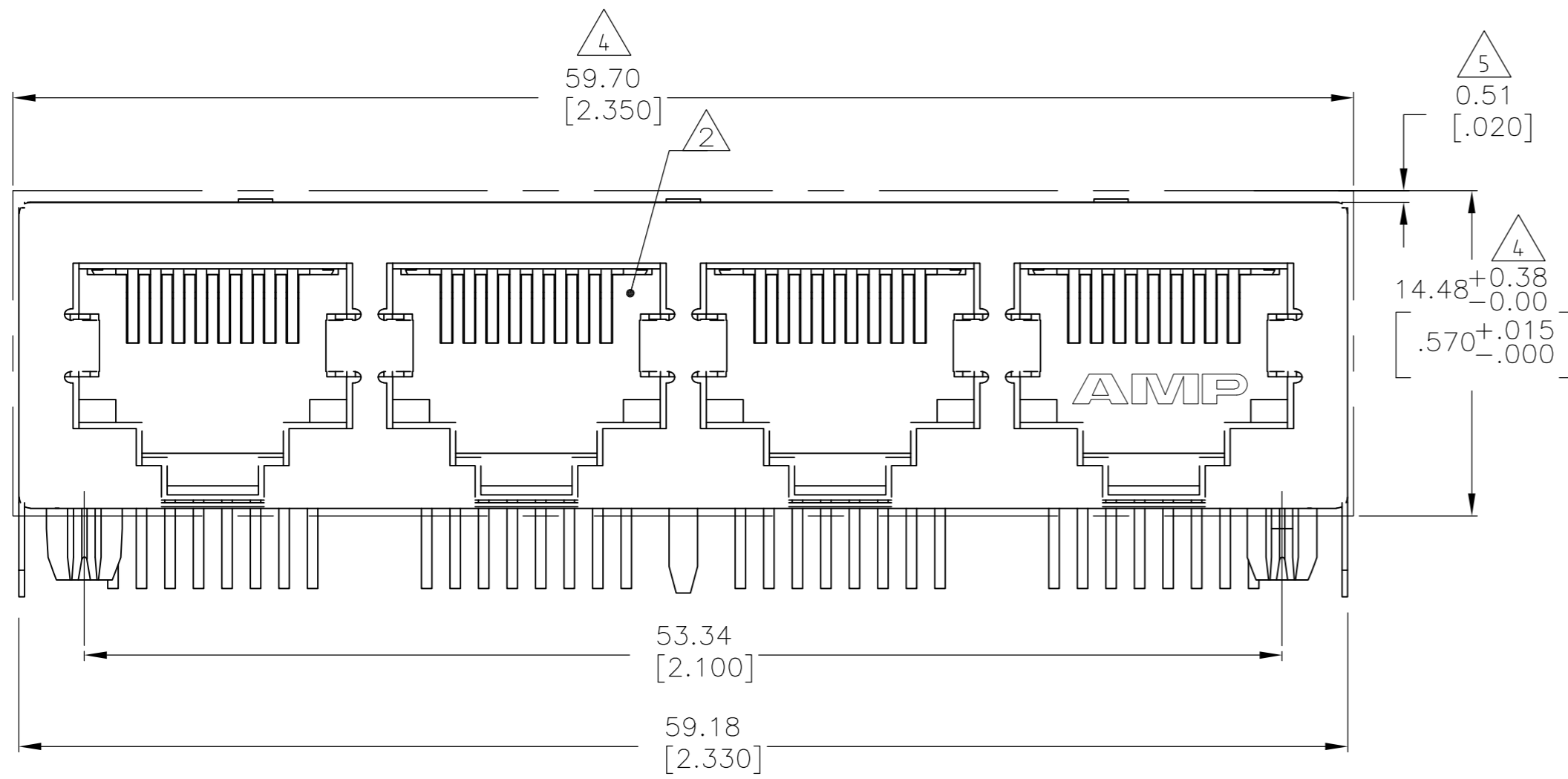


THIS DRAWING IS UNPUBLISHED. RELEASED FOR PUBLICATION
 © COPYRIGHT - By - ALL RIGHTS RESERVED.

LOC		DIST		REVISIONS			
P	LTR	DESCRIPTION	DATE	DWN	APVD		
AA	00						
D		ECR-11-017936	28OCT2011	JJ	MQW		



SUGGESTED PC BOARD LAYOUT
 COMPONENT SIDE
 SEE APPLICATION SPECIFICATION



- MATERIAL: HOUSING- HIGH TEMPERATURE NYLON, BLACK, IR COMPATIBLE, UL 94V-0.
 TERMINALS - 0.33 [.013] THICK PHOS BRONZE PLATED WITH 1.27um [.000050] MINIMUM HARD GOLD IN LOCALIZED AREA AND 3.81um [.000150] MINIMUM TIN IN SOLDER AREA OVER 1.27um [.000050] MINIMUM NICKEL UNDERPLATE

SHIELDS - 0.25 [.010] THICK COPPER ALLOY PLATED WITH 1.27 um [.000050] MINIMUM NICKEL AND 2.03 um [.000080] MINIMUM HOT TIN DIP ON PCB GROUND TABS.

- △ JACK CAVITY CONFORMS TO FCC RULES AND REGULATIONS, PART 68 SUBPART F.
- △ CAUTION: CATEGORY 5 JACK SOLDER TAIL POSITIONS DO NOT FOLLOW SAME NUMBER SEQUENCE AS THAT OF THE TRADITIONAL JACKS.
- △ SUGGESTED PANEL OPENING DIMENSIONS
- △ SUGGESTED CLEARANCE BETWEEN TOP OF CONNECTOR AND TOP PANEL OPENING

5558503-1
 PART NUMBER

THIS DRAWING IS A CONTROLLED DOCUMENT.		DWN W. LONG/L.A.MAYER 04NOV2006	TE Connectivity	
DIMENSIONS: mm [INCHES]		CHK J.WESTMAN 04NOV2006	NAME	
TOLERANCES UNLESS OTHERWISE SPECIFIED:		APVD S.FLICKINGER 04NOV2006	PRODUCT SPEC	
0 PLC ± -		108-1163-2		SIZE
1 PLC ± -		APPLICATION SPEC		CAGE CODE
2 PLC ± 0.25 [.010]		114-2048		DRAWING NO
3 PLC ± -		WEIGHT		RESTRICTED TO
4 PLC ± -		-		A2 00779 C=5558503
ANGLES ± -		CUSTOMER DRAWING		SCALE
FINISH		SEE NOTE 1		4:1
SEE NOTE 1		SEE NOTE 1		SHEET
				1 of 1
				REV
				D